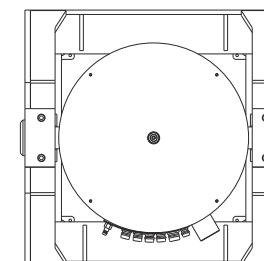
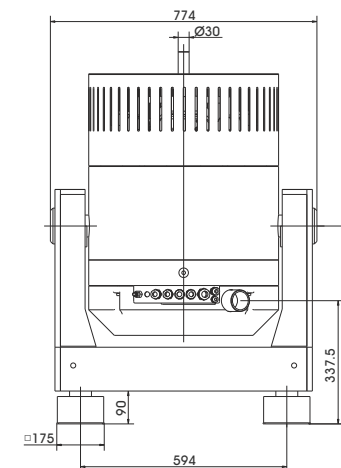
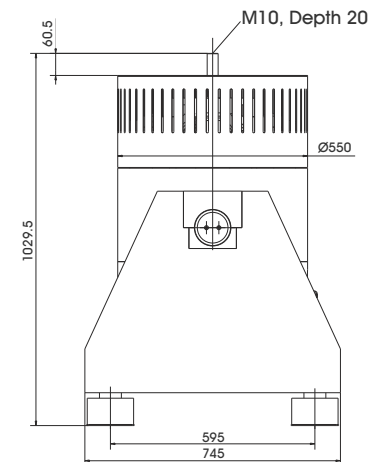


TECHNICAL PARAMETERS Modal exciter S 56280-M/LSS

Rated peak force Sine _{pk} /Random _{RMS}	8000/6000 N
Frequency range	5-2000 Hz
Main resonance frequency(free-swinging)	>2500 Hz
Max. displacement Peak-Peak ¹	100 mm
Max. velocity Sine/Random	2.0/2.0 m/s
Suspension stiffness	electronically adjustable
Effective moving mass	12.0 kg
Weight	850 kg
Magn. stray field Std./low degaussing	<1.5/<0.8 mT
Coupling thread	M10
Interlocks	Temperature, displacement, cooling air, overcurrent

1) only with foundation mounting



SCOPE OF DELIVERY, OPTIONS AND FEATURES OF THE SYSTEM

<p>Scope of delivery:</p> <ul style="list-style-type: none"> Modal exciter 8 kN Swivel frame Power amplifier 22.5 kVA Cooling blower Connection cables (each 5 m) Power cables (5 m) for amplifier (CEE 32 connector) Blower hose ø100 mm (5 m) 	<p>Options:</p> <ul style="list-style-type: none"> Low degaussing kit to further reduce stray magnetic field Wheels&Rails (incl. 3m rails) Squeak&Rattle (Silent operation without blower) Remote control (Software) Silencer for cooling blower (Noise reduction 3 - 6 dB(A)) Acoustic enclosure for cooling blower (Noise reduction 5 - 23 dB(A)) Cable extension Factory acceptance test 	<p>Features:</p> <ul style="list-style-type: none"> Vibration isolation < 6 Hz Coarse filter unit Fully automatic electronic load compensation Electronic zero point regulation with adjustable stiffness Automatic centering of the armature Degauss kit to reduce stray magnetic field Integrated mains switch and line filter Integrated field power supply Noise-button Input voltage analyzer Voltage clipping limiter to avoid clipping 3 Sigma Peak current Made in Germany Servicehotline
--	---	---

TECHNICAL PARAMETERS Amplifier A 1 02 3 023 T

Output power _{RMS}	22500 VA
Frequency range	DC - 4 kHz
Voltage _{RMS} , max.	150 V
Current _{RMS} , max.	150 A
Load resistance, opt.	1 Ohm
Signal input voltage _{RMS} (switchable)	2.5/5/10 V
Distortion	< 0.7 %
Signal to noise ratio	> 90 dB
Field voltage, max.	280 V
Field current, max.	6 A
Weight	330 kg
Dimensions (WxHxD)	600 x 1800 x 800 mm
Power supply (Standard)	3~ / N / PE 400 V±5% 50 Hz, CEE 32
Recommended fuse protection (Standard)	32 A slow
Max. power consumption at 400 V (incl. blower)	16 kVA
Interlocks:	Overload, temperature, clipping and more
Features:	
High Signal to noise ratio of >90 dB	Noise-button
Field supply integrated	Input voltage analyzer
Mains switch and integrated line filter	Voltage clipping limiter to avoid clipping
ESD-monitoring (Protection of the system against damage)	3 Sigma peak current
Field voltage/Field current variable according to customer spec.	Electronic zero-point-regulation (TMC)

TECHNICAL PARAMETERS Cooling blower TB 9

Volume flow rate	max. 870 m ³ /h
Total pressure difference	max. 22 kPa
Power	7 kW
Frequency	50 Hz
Hose diameter	100 mm
Hose length (Std.)	5 m
Weight	104 kg
Dimensions (WxHxD)	560 x 605 x 695 mm
Sound pressure level, max.	max. 86 dB(A)
Power supply (standard)	by amplifier rack
Max. power consumption at 400 V	10 kVA
Options:	
Silencer TB 9-SI (Noise reduction 3 - 6 dB(A))	
Dimensions (LxD): 1012 x 150 mm	
Weight: 1.2 kg	
Acoustic enclosure TB 9-AE (Noise reduction 5 - 23 dB(A))	
Dimensions (WxHxD): 1094 x 1086 x 1000 mm	
Weight: 134 kg	
Hose length according to customers request (up to 10 m)	



Cooling blower TB 9



Silencer TB 9-SI (optional)



Acoustic enclosure TB 9-AE (optional)