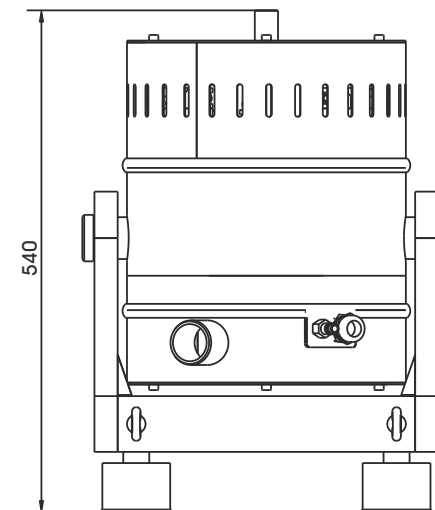


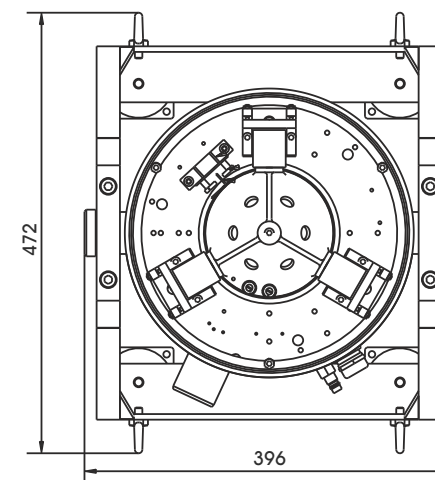
TECHNICAL PARAMETERS Modal exciter S 5220-M

Rated peak force Sine _{pk} /Random _{RMS}	1000/650 N
Frequency range	5-5000 Hz
Main resonance frequency (free-swinging)	> 3000 Hz
Max. displacement Peak-Peak	50.8 mm
Max. velocity Sine/Random	1.5/1.5 m/s
Suspension stiffness	electronically adjustable
Effective moving mass	1.3 kg
Weight	122 kg
Magn. stray field without/with degaussing	< 8.5/< 1 mT
Coupling thread	M8
Interlocks	Temperature, displacement, cooling air, overcurrent



SCOPE OF DELIVERY, OPTIONS AND FEATURES OF THE SYSTEM

<p>Scope of delivery: Modal exciter 1000 N Swivel frame Power amplifier 1200 VA Field power supply (FPS) Electronic zero point regulation (Tira Middle Control=TMC) Cooling blower Connection cables (each 5 m) Power cables (each 1.5 m) for amplifier and FPS (CEE 7/7 connector) Blower hose ø50 mm (5 m)</p>	<p>Options: Degauss kit to reduce stray magnetic field Squeak&Rattle (Silent operation without blower) 19" Rack for integrating of amplifier/FPS Remote control (Hardware) Silencer for cooling blower (Noise reduction up to 8 dB(A)) Acoustic enclosure for cooling blower (Noise reduction 15 - 23 dB(A)) Cable extension Factory acceptance test</p>	<p>Features: Vibration isolation < 6 Hz Coarse filter unit Fully automatic electronic load compensation Electronic zero point regulation with adjustable stiffness Automatic centering of the armature High cross-axial stiffness Minimum maintenance effort Made in Germany Servicehotline</p>
---	---	--



TECHNICAL PARAMETERS Amplifier BAA 1000-ET

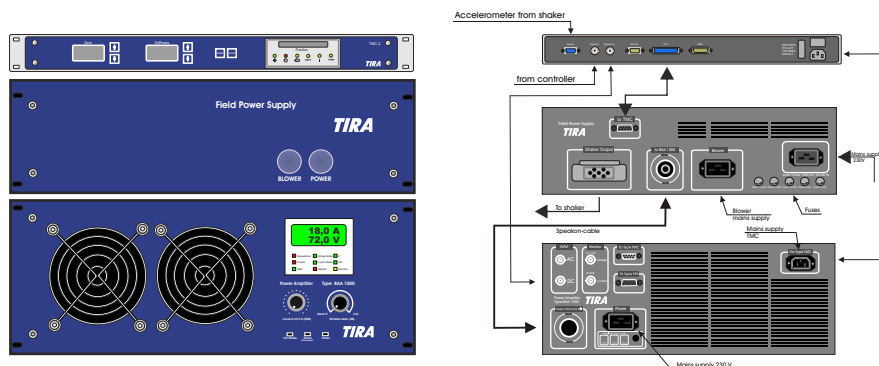
Output power _{RMS}	1200 VA
Frequency range	2 Hz - 20 kHz
Voltage _{RMS} , max.	72 V
Current _{RMS} , max.	18 A
Load resistance, opt.	4 Ohm
Signal input voltage _{RMS}	< 5 V
Distortion	< 0.1 %
Signal to noise ratio	> 90 dB
Field power supply (FPS)	yes (external)
Field voltage, max.	70 V
Field current, max.	3.2 A
Weight (Amplifier+FPS+TMC)	76 kg
Dimensions (Amplifier+FPS+TMC, WxHxD)	483 x 400 x 600 mm
Power supply (Standard)	1 ~ / N / PE 230 V ± 5% 50 Hz CEE 7/7
Recommended fuse protection (Standard)	16 A slow
Max. power consumption at 230 V (Amplifier+TMC)	2.1 kVA
Max. power consumption at 230 V (FPS+blower)	2.4 kVA
Interlocks:	Overload, temperature, clipping and more

Features:
High Signal to noise ratio of >90 dB

TECHNICAL PARAMETERS Cooling blower TB 0140

Volume flow rate	max. 140 m ³ /h
Total pressure difference	max. 120 mbar
Power	1.1 kW
Frequency	50 Hz
Hose diameter	50 mm
Hose length (Std.)	5 m
Weight	16 kg
Dimensions (WxHxD)	286 x 302 x 292 mm
Sound pressure level, max.	max. 63 dB(A)
Power supply (standard)	by Field power supply (FPS)
Max. power consumption at 400 V	1.4 kVA

Options:
 Silencer (Noise reduction up to 8 dB(A))
 Dimensions (LxD): 308 x 82 mm
 Weight: 0.2 kg
 Acoustic enclosure (Noise reduction 15 - 23 dB(A))
 Dimensions (WxHxD): 795 x 841 x 699 mm
 Weight: 45 kg
 Hose length according to customers request (up to 10 m)



Cooling blower TB 0140



Silencer TB 0140-SI (optional)



Acoustic enclosure TB 0140-AE (optional)