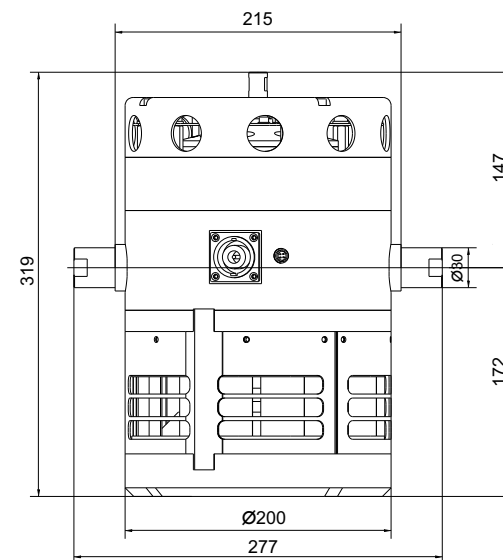


TECHNICAL PARAMETERS Modal exciter S 51130-MSC

Rated peak force Sine _{pk} /Random _{RMS} ¹	350/200 N
Frequency range	DC - 3000 Hz
Main resonance frequency (free-swinging)	>4000 Hz
Max. displacement Peak-Peak	9 mm
Max. velocity	1.3 m/s
Suspension stiffness	70 N/mm
Effective moving mass	0.5 kg
Total mass	27 kg
Coupling thread	M8

1) Random force according to ISO 5344:2004



SCOPE OF DELIVERY, OPTIONS AND FEATURES OF THE SYSTEM

Scope of delivery:

Modal exciter 350 N
Trunnion mount
Power amplifier 500 VA
with blower control in a rack 19"
Connection cable (3 m)
Power cable (1.5 m)
for amplifier (CEE 7/7 connector)

Options:

Stinger (see Modal brochure for details)
Cable extension
Factory acceptance test

Features:

Integrated blower with control unit
Vibration isolation
High cross-axial stiffness
Light weight construction by using
rare earth magnet
Minimum maintenance effort
Made in Germany
Service hotline

TECHNICAL PARAMETERS Power Amplifier BAA 500-MSC

Output power _{RMS}	500 VA
Frequency range	DC - 20 kHz
Voltage-/Current mode	yes/yes
Voltage _{RMS} , max.	45 V
Current _{RMS} , max. (below 5 Hz)	11.2 A (5 A)
Signal input voltage _{RMS}	< 5 V
Distortion	< 0.1 %
Signal to noise ratio	> 90 dB
Total mass incl. rack	37 kg
Dimensions incl. rack (WxHxD)	562 x 211 x 550 mm
Power supply (Standard)	1 ~ / N / PE 230 V ± 5% 50 Hz CEE 7/7
Recommended fuse protection (Standard)	16 A slow
Max. power consumption at 230 V	0.35 kVA
Interlocks:	Overload, Temperature, Clipping

Features:

High Signal to noise ratio of >90 dB
Control unit for internal blower of the exciter



Illustration similar

