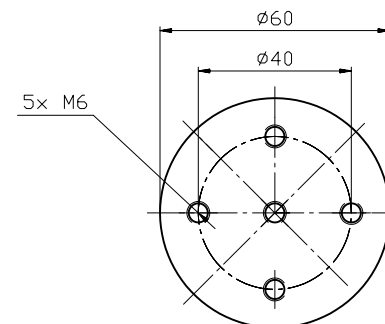
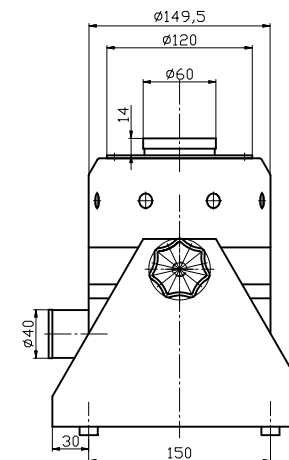
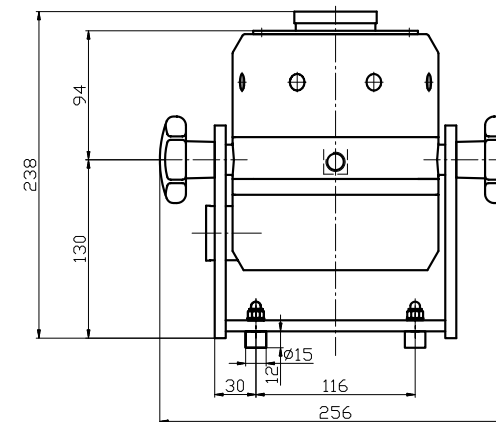


TECHNICAL PARAMETERS Vibration exciter S 52120

Rated peak force Sine _{pk} /Random _{RMS}	200/100 N
Frequency range	2-7000 Hz
Main resonance frequency	>5700 Hz
Max. displacement Peak-Peak	15 mm
Max. velocity Sine/Random	1.5/1.5 m/s
Max. acceleration Sine/Random	100/50 g
Suspension stiffness	5 N/mm
Effective moving mass	0.25 kg
Max. weight tested ¹	3 kg
Weight	36 kg
Armature diameter	60 mm

1) Testing weight has an impact on the possible maximum displacement



SCOPE OF DELIVERY, OPTIONS AND FEATURES OF THE SYSTEM

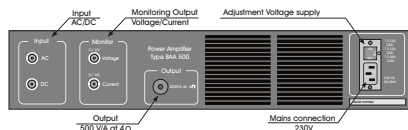
<p><u>Scope of delivery:</u> Vibration exciter 200 N Trunnion mount Power amplifier 500 VA Cooling blower Connection cable (3 m) Power cable amplifier (1.5 m) Blower hose ø40 mm (3 m)</p>	<p><u>Options:</u> Rack for mounting the amplifier Remote control (Hardware) Silencer for cooling blower (Noise reduction up to 5 dB(A)) Acoustic enclosure for cooling blower (Noise reduction 15 - 23 dB(A)) Cable extension Factory acceptance test</p>	<p><u>Features:</u> Vibration isolation Coarse filter unit Automatic centering of the armature High cross-axial stiffness Minimum maintenance effort Made in Germany Servicehotline</p>
--	--	--

TECHNICAL PARAMETERS Amplifier BAA 500

Output power _{RMS}	500 VA
Frequency range	DC - 20 kHz
Voltage-/Current mode	yes/yes
Voltage _{RMS} max.	45 V
Current _{RMS} max.	11.2 A
Signal input voltage _{RMS}	< 5 V
Distortion	< 0.1 %
Signal to noise ratio	> 90 dB
Weight	25 kg
Dimensions (WxHxD)	483 x 90 x 450 mm
Power supply (Standard)	1 ~ / N / PE 230 V ±5% 50 Hz, CEE 7/7
Recommended fuse protection (Standard)	16 A slow
Max. power consumption at 230 V	0.35 kVA
Interlocks:	Overload, temperature, clipping and more

Features:

High Signal to noise ratio of >90 dB



TECHNICAL PARAMETERS Cooling blower TB 0080

Volume flow rate	max. 80 m³/h
Total pressure difference	max. 120 hPa
Power	0.37 kW
Frequency	50 Hz
Hose diameter	40 mm
Hose length (Std.)	3 m
Weight	10 kg
Dimensions (WxHxD)	246 x 256 x 247 mm
Sound pressure level, max.	max. 53 dB(A)
Power supply (standard)	1 ~ / N / PE 230 V ±5% 50 Hz, CEE 7/7
Max. power consumption at 230 V	0.46 kVA

Options:

Silencer TB 0080-SI (Noise reduction up to 5 dB(A))

Dimensions (LxD): 310 x 65 mm

Weight: 0.2 kg

Acoustic enclosure TB 0080-AE (Noise reduction 15 - 23 dB(A))

Dimensions (WxHxD): 795 x 841 x 699 mm

Weight: 45 kg

Hose length according to customers request (up to 10 m)



Cooling blower TB 0080



Silencer TB 0080-SI (optional)



Acoustic enclosure TB 0080-AE (optional)